

Interface PCB

Connector

Accessory

# PROCESSOR DSP AUDIO

252 SHEET 4

## RECEIVER

246 GND RX-ANT SHEET 3

## SYNTH-VCO

2922 GND

## VCO

sheet 6

## POWER-AMP

93 GND RX-ANT SHEET 2



08	X		X	X	X	X	X
02A	RXMOD		CJK				28/04/99
01B	UPDATED SYNTH PA RX,1ST PROTO		BRD				
REV/ISS	AMENDMENTS		DRAWN	CHKD	D.O.	APVD	DATE

© TAIT ELECTRONICS

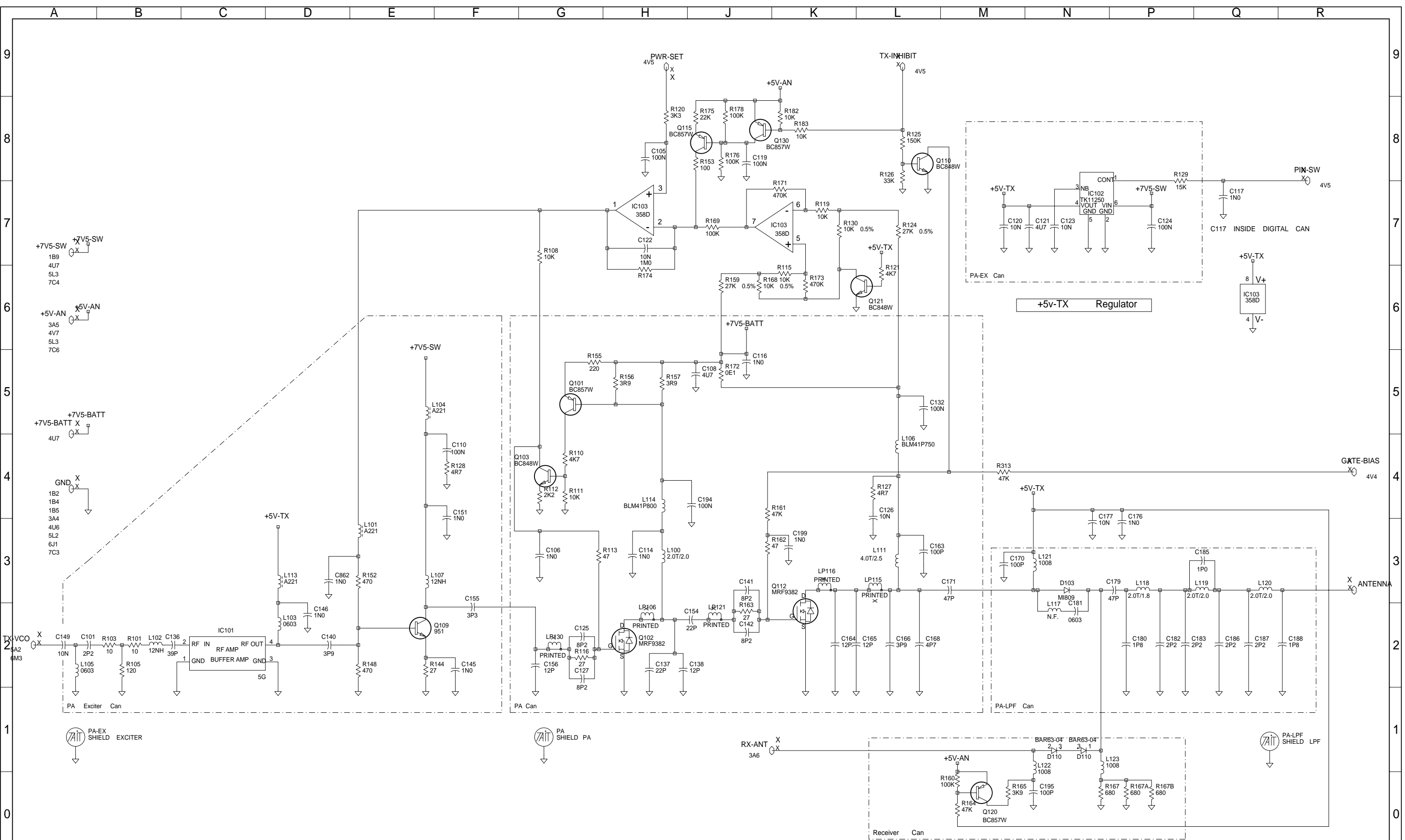
ORCA :TOP- 800MHZ  
SYSTEM DIAGRAM

IPN: 220-01416-02    ISSUE: A    ID: 2.SC. 1

PROJECT: ORCA    DESIGNER: CJK    FILE NAME: 141602A    FILE DATE: 28/04/99    NO.SHEETS: 7



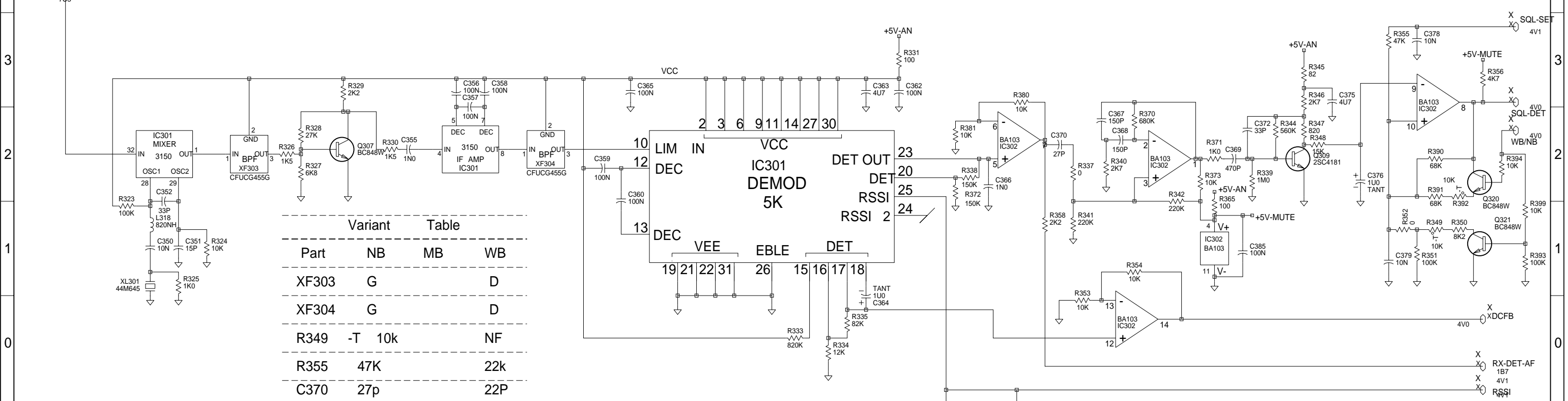
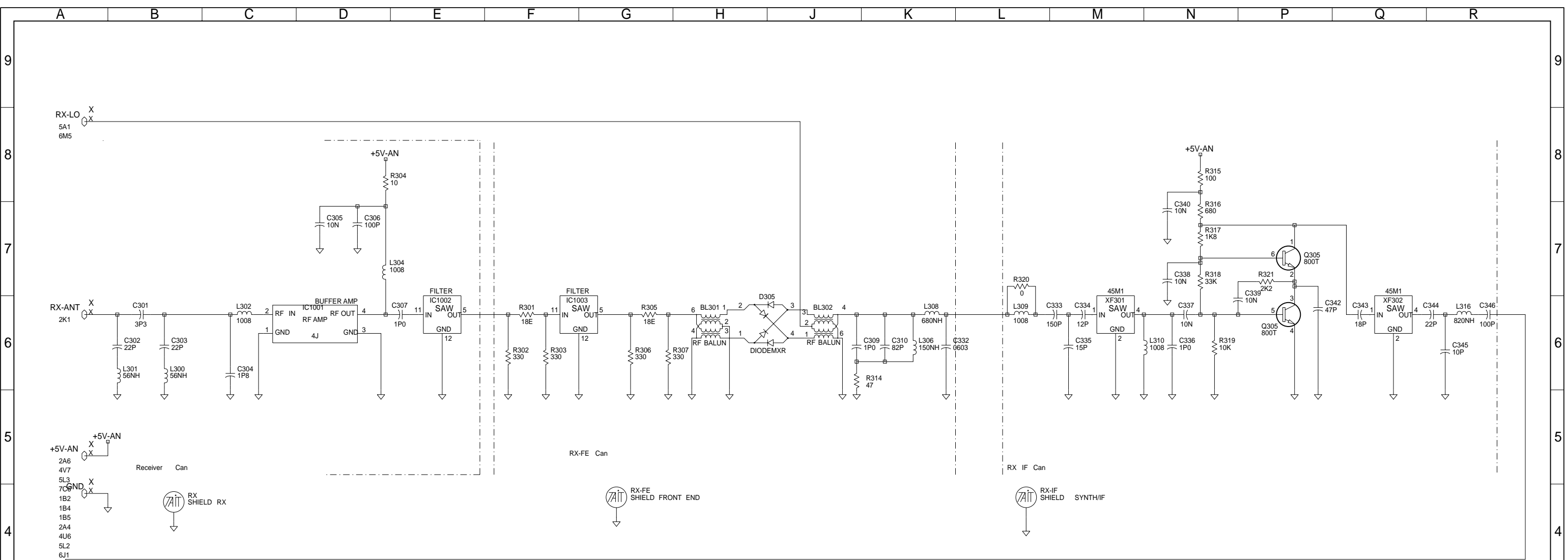




L121 L122 L123 150n 1008

<b>TAIT ELECTRONICS</b>	
ORCA :TOP-POWER AMPLIFIER	800MHZ
IPN: 220-01416-02	ISSUE: A
DESIGNER: CJK	FILE DATE: 14/1602A
PROJECT: ORCA	NO. SHEETS: 7

REV/ISS	AMENDMENTS	DRAWN	CHKD	D.O.	APVD	DATE
A						



Variant Table

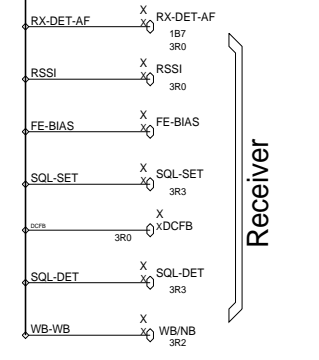
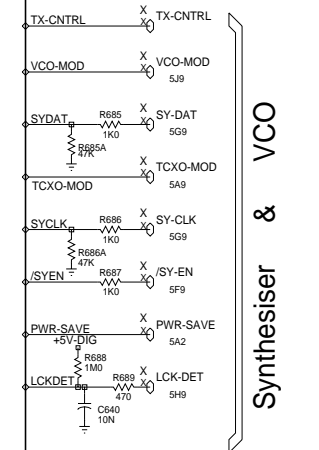
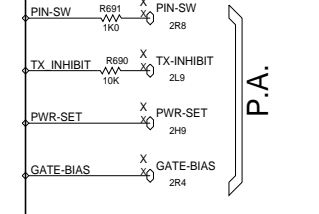
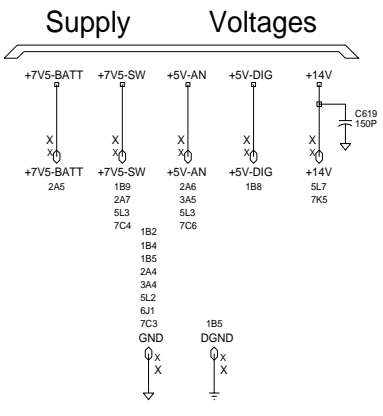
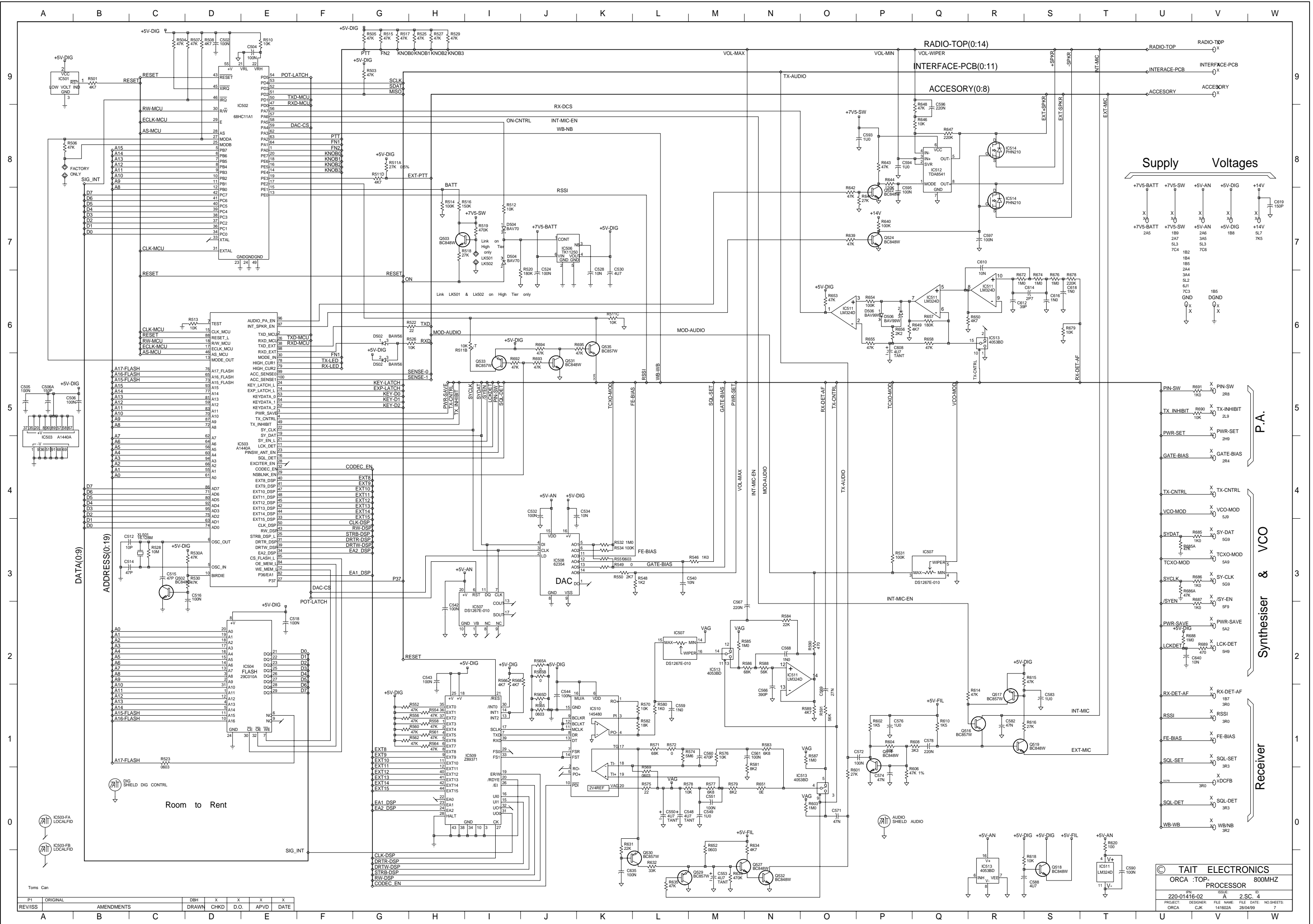
Part	NB	MB	WB
XF303	G		D
XF304	G		D
R349	-T	10k	NF
R355	47K		22k
C370	27p		22P
C369	470p		330P

© TAIT ELECTRONICS  
 ORCA :TOP- 800MHZ  
 RECEIVER

IPN: 220-01416-02  
 ISS: A  
 ID: 2.S.C. 3

PROJECT: ORCA  
 DESIGNER: CJK  
 FILE NAME: 141602A  
 FILE DATE: 28/04/99  
 NO.SHEETS: 7

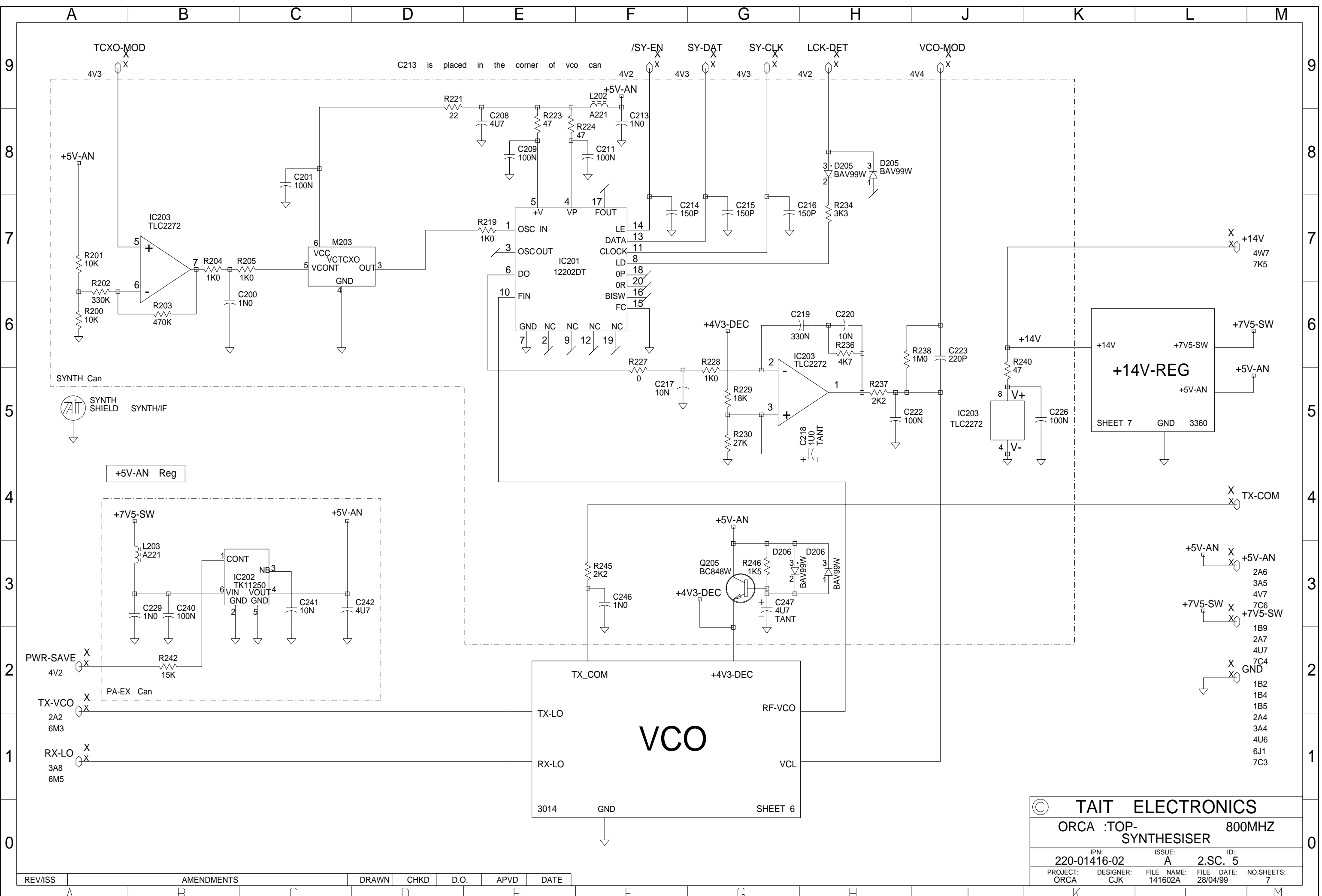
REV/ISS	AMENDMENTS	DRAWN	CHKD	D.O.	APVD	DATE
A						



Room to Rent

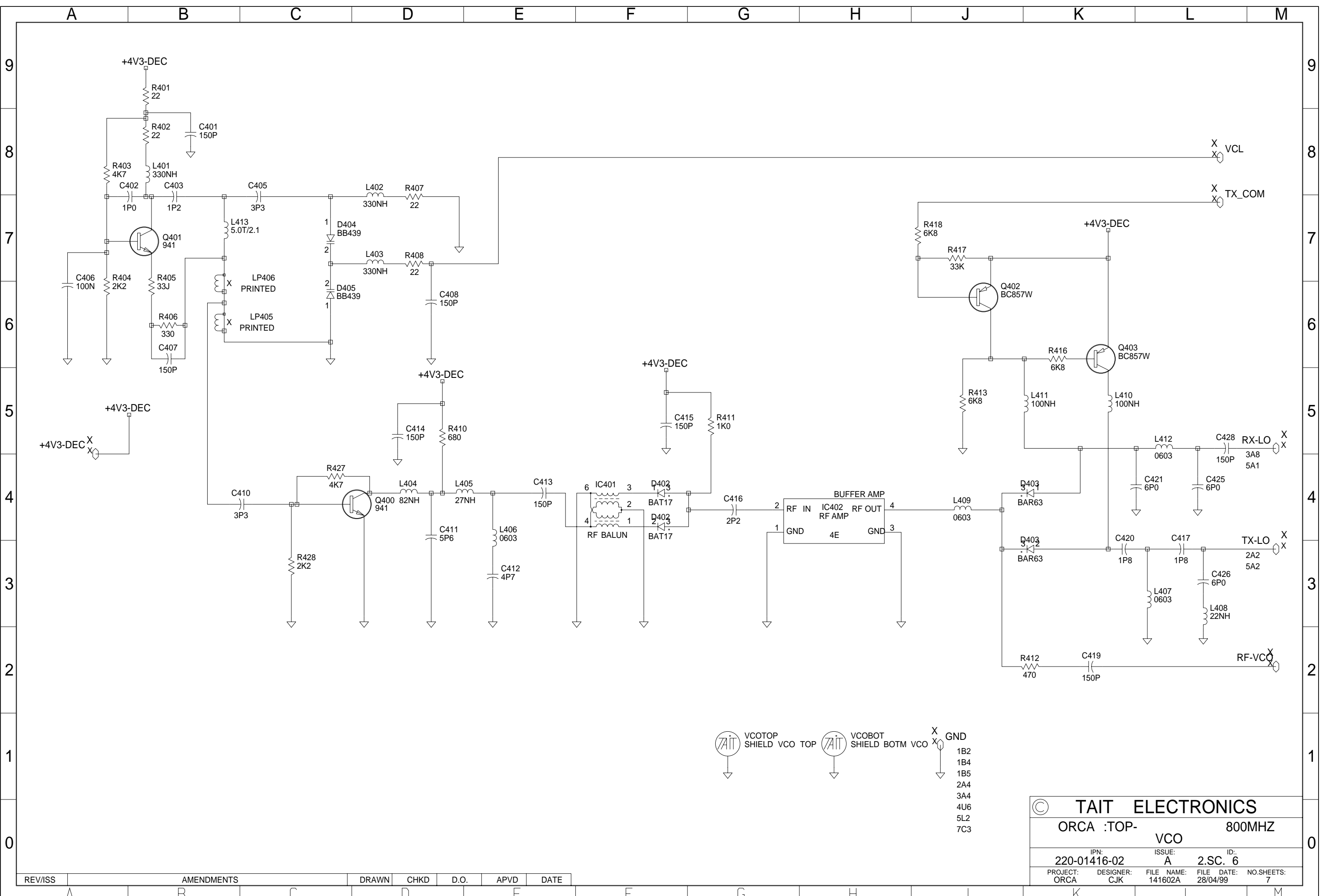
© TAIT ELECTRONICS			
ORCA :TOP-	PROCESSOR		800MHZ
220-01416-02	REV	DATE	2.SC. 4
ORCA	CJK	141602A	28/04/99

REV/ISS	ORIGINAL	AMENDMENTS	DBH	X	X	X	X
			DRAWN	CHKD	D.O.	APVD	DATE
A							



REV/ISS	AMENDMENTS	DRAWN	CHKD	D.O.	APVD	DATE

© TAIT ELECTRONICS	
ORCA :TOP- 800MHZ	SYNTHESISER
IPN: 220-01416-02	ISSUE: A ID: 2.SC. 5
PROJECT: ORCA	DESIGNER: CJK FILE NAME: 141602A FILE DATE: 28/04/99 NO.SHEETS: 7

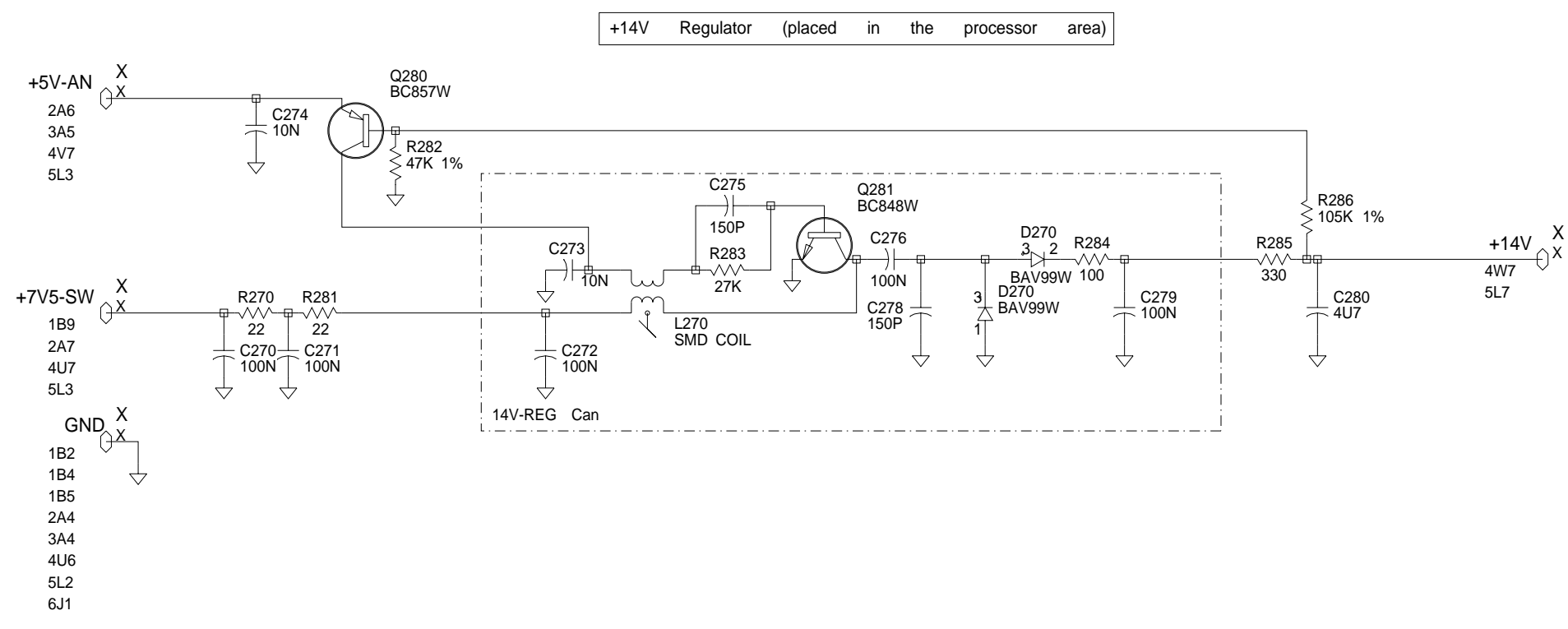


© TAIT ELECTRONICS				
ORCA :TOP-		VCO 800MHZ		
IPN:	ISSUE:	ID.:		
220-01416-02	A	2.SC. 6		
PROJECT:	DESIGNER:	FILE NAME:	FILE DATE:	NO.SHEETS:
ORCA	CJK	141602A	28/04/99	7

REV/ISS	AMENDMENTS	DRAWN	CHKD	D.O.	APVD	DATE

- X GND
- 1B2
- 1B4
- 1B5
- 2A4
- 3A4
- 4U6
- 5L2
- 7C3









+14V Regulator (placed in the processor area)

+5V-AN  
2A6  
3A5  
4V7  
5L3

+7V5-SW  
1B9  
2A7  
4U7  
5L3

GND  
1B2  
1B4  
1B5  
2A4  
3A4  
4U6  
5L2  
6J1

© TAIT ELECTRONICS				
ORCA :TOP-		800MHZ		
+14V REGULATOR				
IPN:	ISSUE:	ID:		
220-01416-02	A	2.SC. 7		
PROJECT:	DESIGNER:	FILE NAME:	FILE DATE:	NO.SHEETS:
ORCA	CJK	141602A	28/04/99	7

-  MIC-SEAL MICGROMMET
-  SEAL BATT SEAL
-  TBADMARK BADMARK
-  BBADMARK BADMARK

REV/ISS	AMENDMENTS	DRAWN	CHKD	D.O.	APVD	DATE
---------	------------	-------	------	------	------	------